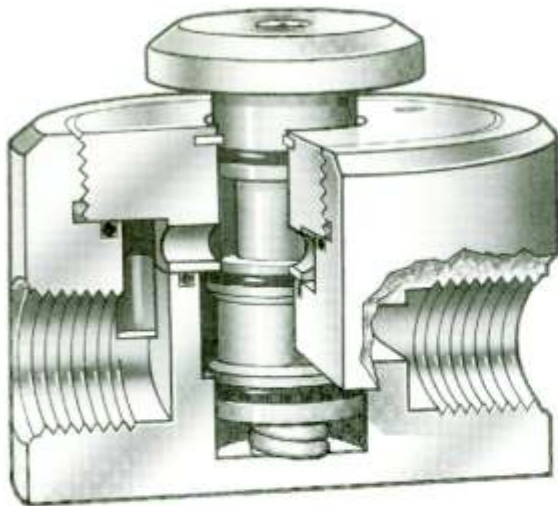


MOV



PATENT NO. 4,267,861

DESIGN FEATURES

The R-K MOV series manual operated valve features a compact thermoplastic valve designed to be used with a minimum of hand, foot or knee pressure. This allows one or both hands to be free for other tasks.

This patented valve is designed so there is no metal contact with the fluid. A teflon wiper ring prevents most dirt from entering through the top of the valve.

Automatic fail-safe shut-off.

Direct acting full flow and top entry for easy maintenance makes this an ideal valve for most manual applications.

Suitable for most harsh chemicals.

The standard valve is normally closed (push-to-open, release-to-close).

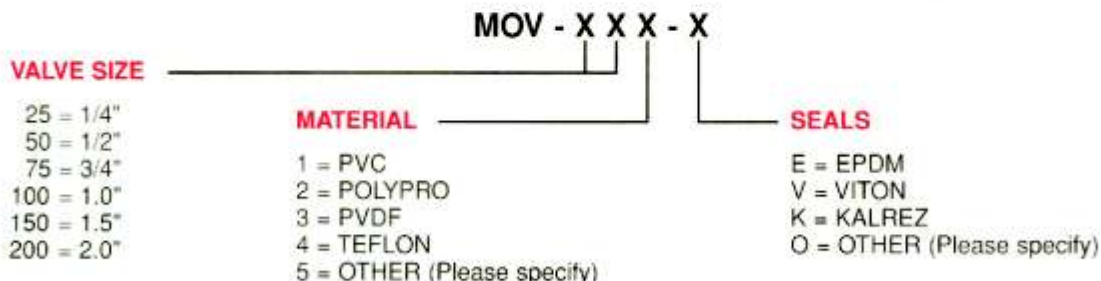
MANUAL OPERATED VALVE

SPECIFICATIONS

Operating Pressure Range	Vacuum to 150 PSIG	Temperature Range	0 F to 140 F for PVC 0 F to 180 F for POLYPRO 0 F to 280 F for PVDF 0 F to 340 F for Teflon	
Material	Valve Body	PVC Type 1, Grade 1 Polypropylene PVDF Teflon	Valve ports	1/4" to 1" Valve FNPT 1.5" to 2" Valve MPT All valves are fully ported
	Seal	EPDM VITON KALREZ	Mounting Method	(4) 1/4" -20 tapped holes for standard machined valve body. (1/4" to 1.0")

ORDER INFORMATION

The chart below will specify R - K standard valves regarding valve size, valve material, and seal material. For special orders, please consult the factory for pricing and delivery information.



R-K INDUSTRIES

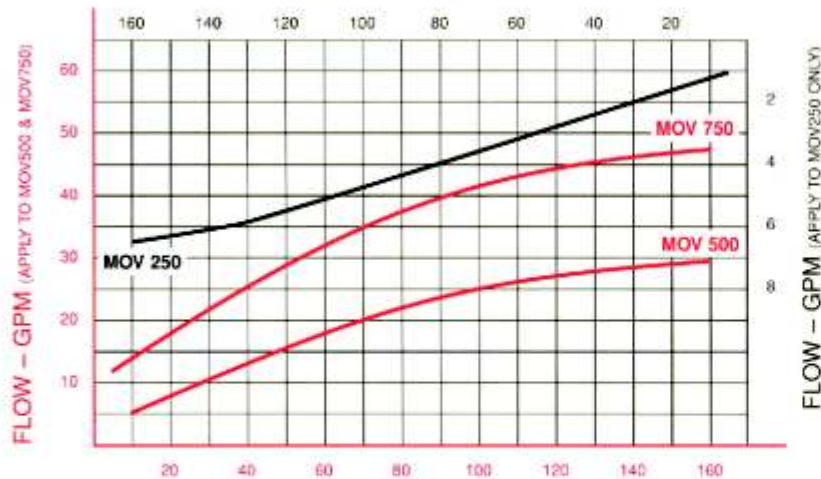


1120 E. LOCUST STREET
ONTARIO, CA 91761

(909) 947-5227 • FAX: (909) 947-3039 • <http://www.rkvalve.com>

ENGINEERING & PERFORMANCE DATA

INLET PRESSURE – PSIG (APPLY TO MOV250 ONLY)



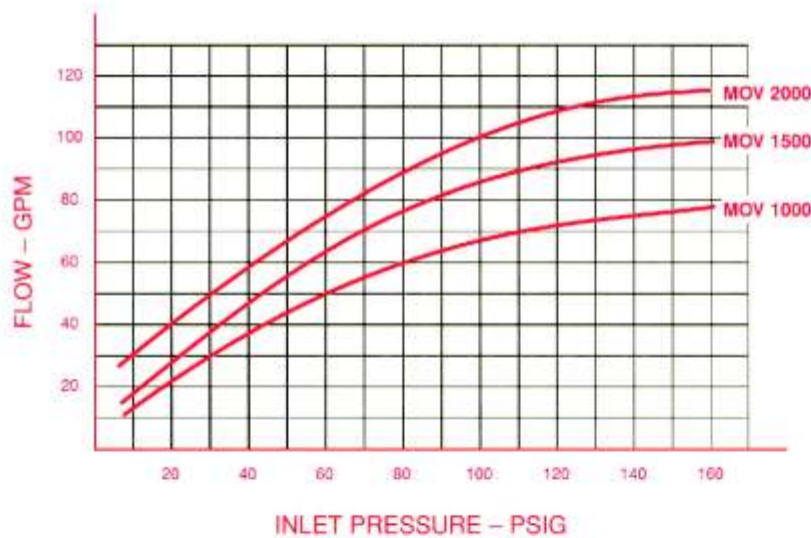
NOTES

TEST DATA WAS PERFORMED WITH 68 DEGREE F WATER, AND 160 PSIG MAXIMUM PRESSURE.

THESE PERFORMANCE CURVES WILL BE CHANGED WITH HIGHER VISCOSITY LIQUID AND/ OR HIGHER TEMPERATURE.

CONSULT YOUR LOCAL SALES REP OR MANUFACTURER DIRECTLY FOR CUSTOM PRODUCTS OR SPECIAL APPLICATIONS.

INLET PRESSURE – PSIG (APPLY TO MOV500 & MOV750)

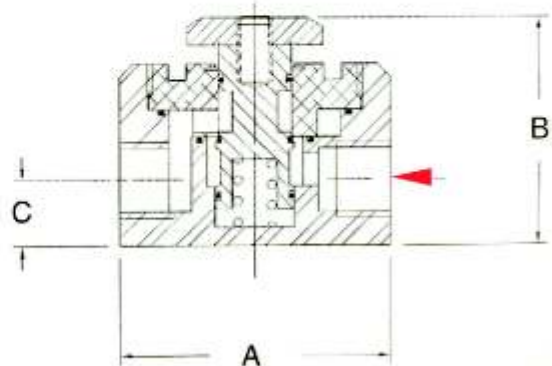


DIMENSIONAL DATA

DIMENSIONS IN INCHES

Valve size	Ports	A	B	C	Cv
1/4"	FNPT	2.00	1.80	.5	.58
1/2"	FNPT	3	2.5	.7	2.84
3/4"	FNPT	3.5	3	.9	4.14
1.0"	FNPT	4	3.5	1.1	5.86
1.5"	MPT	5.0	4.7	1.5	16.7*
2.0"	MPT	6.0	5.5	1.7	22.3*

(* Cv value @ 150 GPM)



R-K INDUSTRIES



1120 E. LOCUST STREET
ONTARIO, CA 91761

(909) 947-5227 • FAX: (909) 947-3039 • <http://www.rkvalve.com>