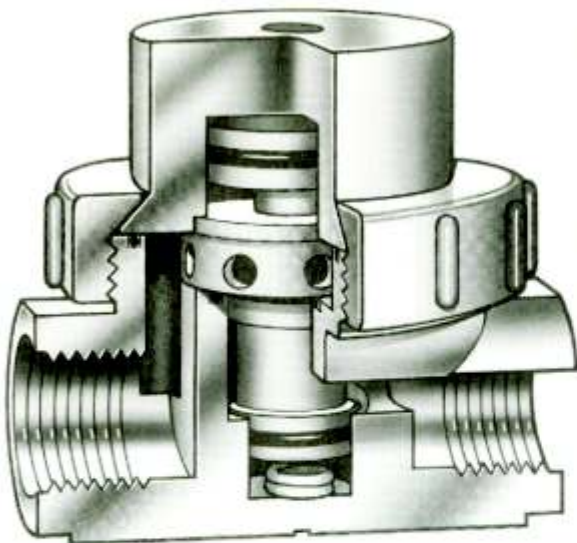


# NPR



PATENT NO. 4,276,902

## DESIGN FEATURES

The R-K NPR series pilot operated (remote) pressure regulator is ideal for hard to reach places and for situations where instant fluid pressure changes are needed (such as spraying or rinsing applications). When the valve is installed the pressure can be adjusted from 5-100 P.S.I. with an air pressure regulator to protect the system from pressure changes. It will provide an accurate outlet flow if a series of pressure regulators are required for the system or operation.

Wide working pressure range (5 to 100 PSIG)

Top entry for easy in-line maintenance and minimum water hammer.

Air-to-open, spring to close.

Molded bodies are standard for 1/2", 3/4" and 1" valves.

Suitable for most harsh chemical applications.

## PILOT OPERATED PRESSURE REGULATOR

### SPECIFICATIONS

Upstream Pressure	Vacuum to 150 PSIG	Temperature Range	0 F to 140 F for PVC 0 F to 180 F for POLYPRO 0 F to 280 F for PVDF 0 F to 340 F for TEFLON
Air Actuating Pressure	5 to 100 PSIG	Valve ports	1/4" to 1" Valve FNPT 1.5" to 2" Valve MPT All valves are fully ported
Regulated Pressure	5 to 100 PSIG	Mounting method	(4) 1/4" -20 tapped holes for standard machined valve body (1/4" to 1.00") (2) Cut-out slots on molded valve body (1/2" to 1")
Material	Valve Body PVC Type 1, Grade 1 Polypropylene PVDF Teflon		
Seal	EPDM VITON KALREZ		

### ORDER INFORMATION

The chart below will specify R - K standard valves regarding valve size, valve material, and seal material. For special orders, please consult the factory for pricing and delivery information.

NPR - X X X - X X			
VALVE SIZE	MATERIAL	SEALS	X = MOLDED BODY (1/2"-3/4"-1" ONLY)
25 = 1/4"	1 = PVC	E = EPDM	
50 = 1/2"	2 = POLYPRO	V = VITON	
75 = 3/4"	3 = PVDF	K = KALREZ	
100 = 1.0"	4 = TEFLON	O = OTHER (Please specify)	
150 = 1.5"	5 = OTHER (Please specify)		
200 = 2.0"			

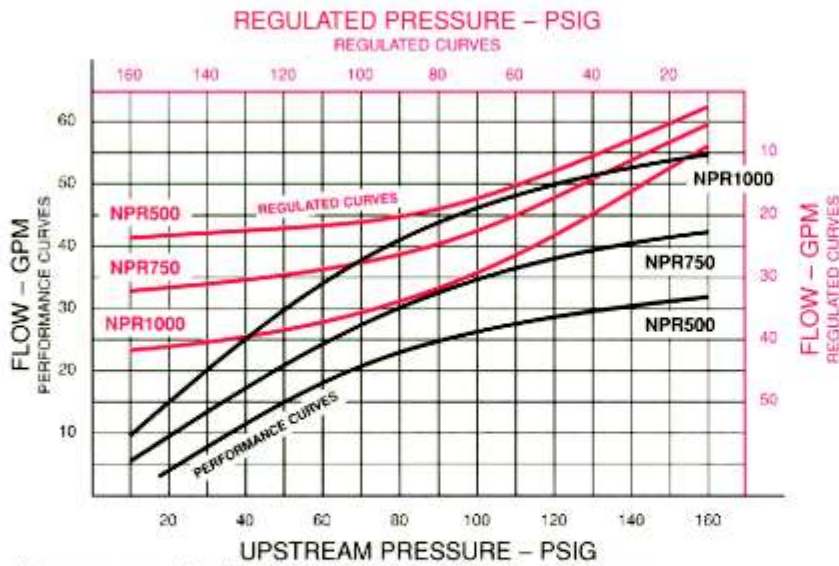
R-K INDUSTRIES



1120 E. LOCUST STREET  
ONTARIO, CA 91761

(909) 947-5227 • FAX: (909) 947-3039 • <http://www.rkvalve.com>

# ENGINEERING & PERFORMANCE DATA

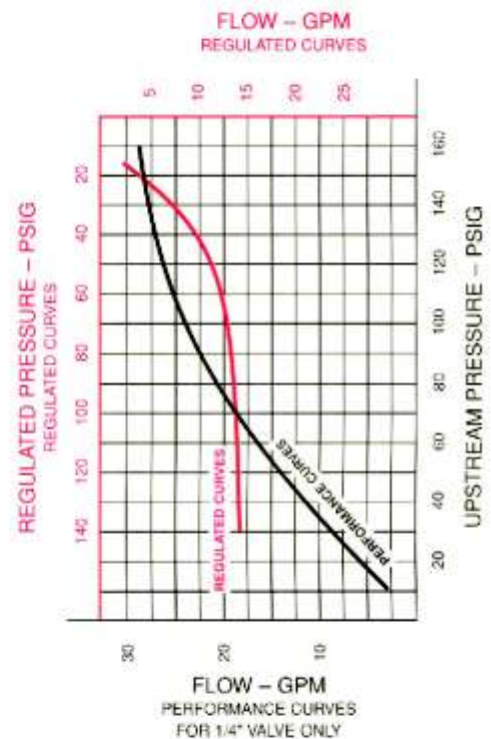
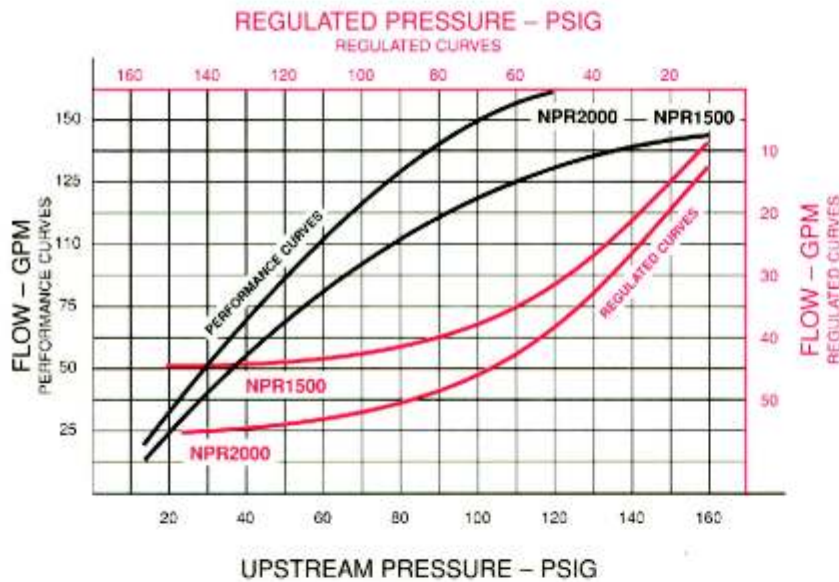


## NOTES

TEST DATA WAS PERFORMED WITH 68 DEGREE F WATER, AND 160 PSIG MAXIMUM PRESSURE.

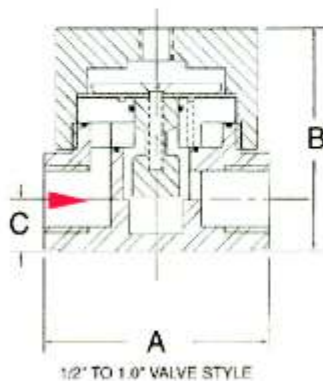
THESE PERFORMANCE CURVES WILL BE CHANGED WITH HIGHER VISCOSITY LIQUID AND/OR HIGHER TEMPERATURE.

CONSULT YOUR LOCAL SALES REP OR MANUFACTURER DIRECTLY FOR CUSTOM PRODUCTS OR SPECIAL APPLICATIONS.



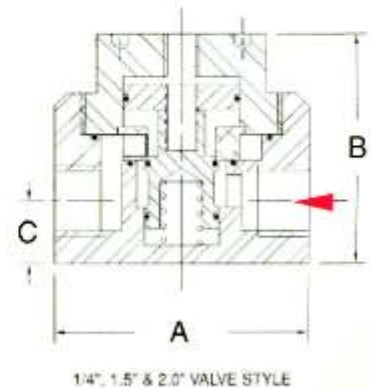
## DIMENSIONAL DATA

DIMENSIONS IN INCHES ( ) MOLDED BODY DIM



Valve size	Ports	A	B	C	Cv
1/4"	FNPT	2.00	1.90	.5	.58
1/2"	FNPT	(2.90)	(2.60)	(.7)	2.85
3/4"	FNPT	(3.30)	(3.30)	(.8)	3.12
1.0"	FNPT	(3.90)	(4.00)	(.9)	4.28
1.5"	MPT	5.50	5.40	1.5	15.8*
2.0"	MPT	6.00	6.00	1.7	21.1*

(\* ) Cv value @ 150 GPM



**R-K INDUSTRIES**



1120 E. LOCUST STREET  
ONTARIO, CA 91761  
(909) 947-5227 • FAX: (909) 947-3039 • <http://www.rkvalve.com>